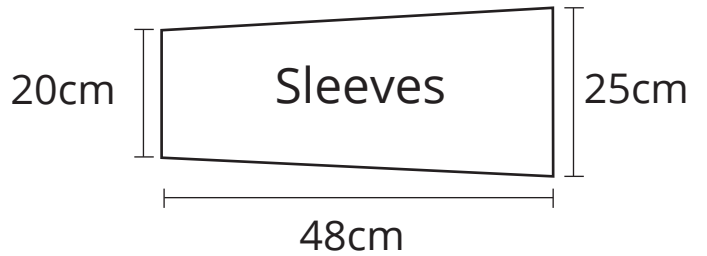
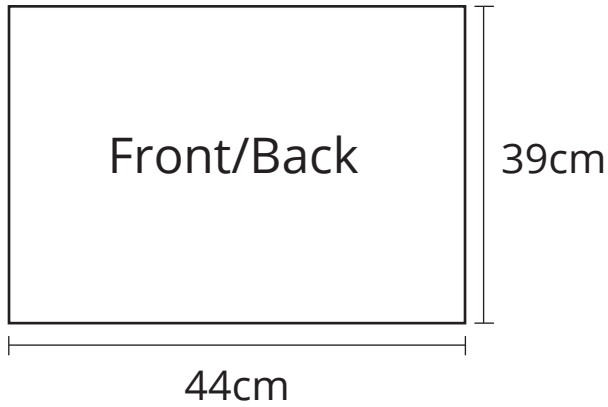
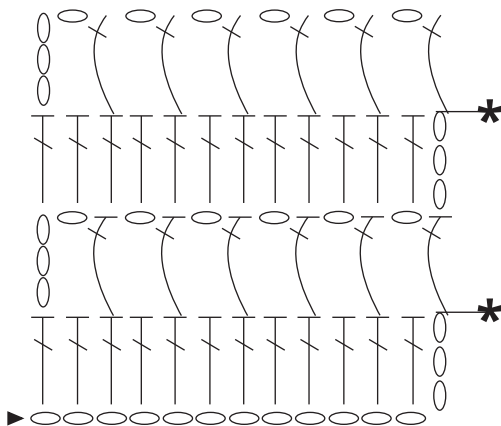


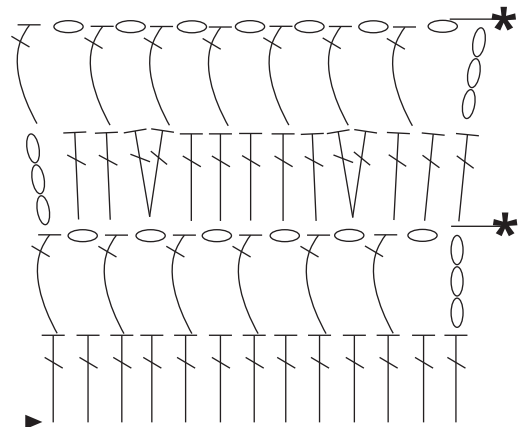
# Versatile Top



**Chart 1 (body)**



**Chart 2  
(increases in sleeves)**



**Stitch key:**

- ▶ Start
- Chain Stitch
- ⌋ Double Crochet
- ⌋ Extended Double Crochet
- Repeat from \* to \*